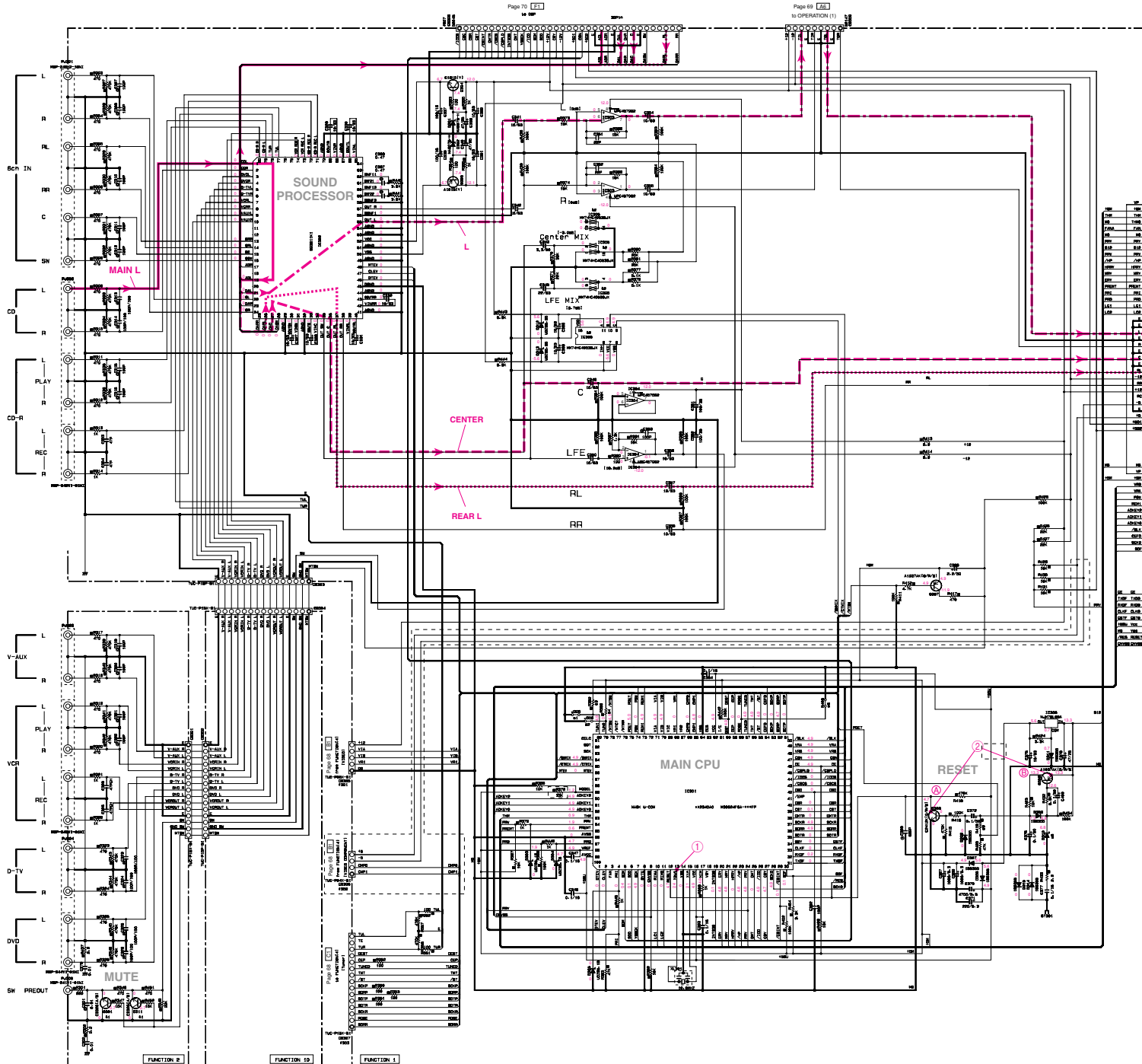
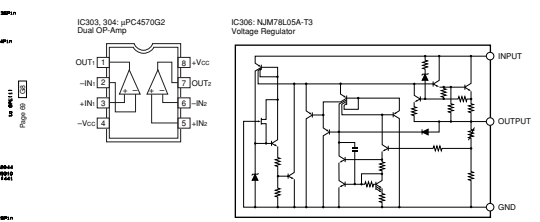
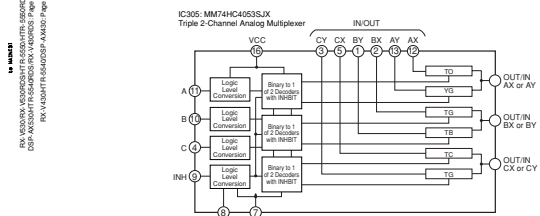
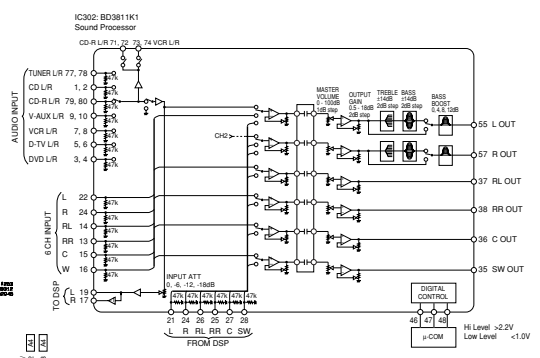


■ SCHEMATIC DIAGRAM (FUNCTION 1/2)

- \* All voltages are measured with a 10MΩ/V DC electric volt meter.
- \* Components having special characteristics are marked  $\Delta$ , and must be replaced with parts having specifications equal to those originally installed.
- \* Schematic diagram is subject to change without notice.
- 電圧は、内部抵抗10MΩの電圧計で測定したものです。
- $\Delta$ 印のある部品は、安全性確保部品を示しています。部品の交換が必要な場合、パーツリストに記載されている部品を使用してください。
- 本回路図は標準回路図です。改良のため予告なく変更することがございます。



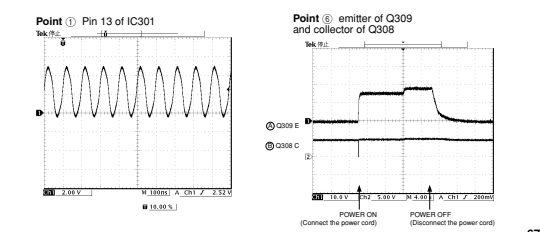
RX-V530/RX-V530RDS/HTR-5550/HTR-5550RDS/DSP-AX530  
RX-V430/RX-V430RDS/HTR-5540/HTR-5540RDS/DSP-AX430



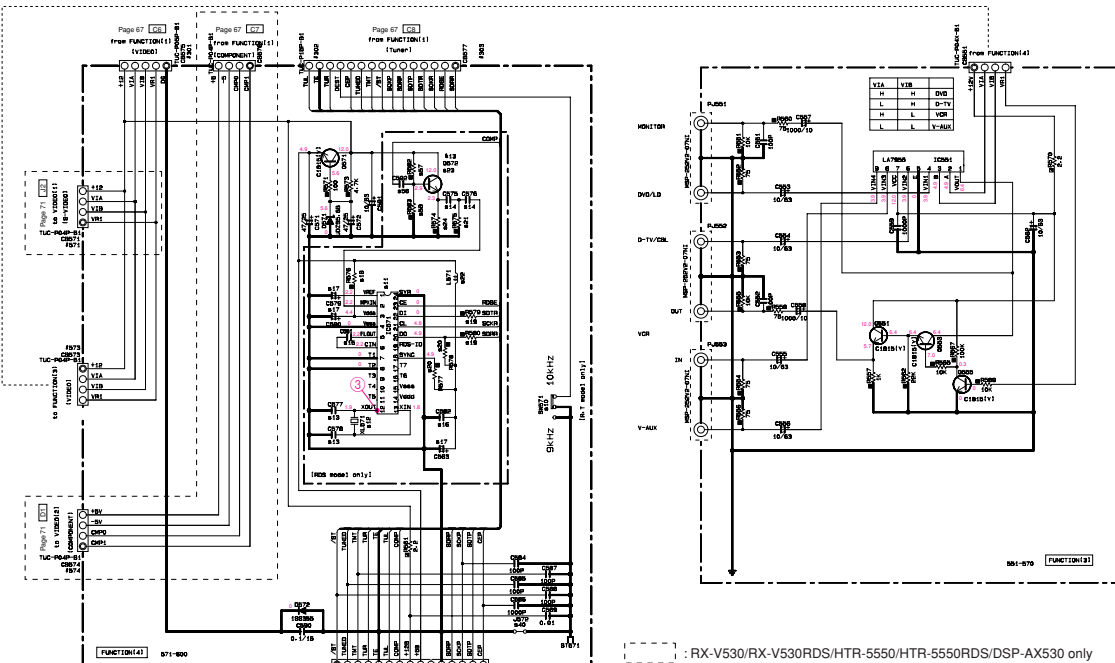
CAPACITOR		RESISTOR	
REMARKS	PARTS NAME	REMARKS	PARTS NAME
NO MARK	ELECTROLYTIC CAPACITOR	NO MARK	CARBON FILM RESISTOR (P-5)
①	TANTALUM CAPACITOR	①	CARBON FILM RESISTOR (P-10)
NO MARK	CERAMIC CAPACITOR	②	METAL OXIDE FILM RESISTOR
②	CERAMIC TUNABLE CAPACITOR	③	METAL FILM RESISTOR
③	POLYESTER FILM CAPACITOR	④	METAL OXIDE FILM RESISTOR
④	POLYPROPYLENE FILM CAPACITOR	⑤	FILM WOUND CARBON FILM RESISTOR
⑤	MYICA CAPACITOR	⑥	PRECISION HOLED RESISTOR
⑥	POLYPROPYLENE FILM CAPACITOR	⑦	DUCT VARIABLE RESISTOR
⑦	NEOCONDUCTIVE CERAMIC CAPACITOR	⑧	DUCT RESISTOR

- NOTICE (model)**
- (J) ..... JAPANESE
  - (U) ..... U.S.A.
  - (C) ..... CANADIAN
  - (R) ..... GENERAL
  - (A) ..... AUSTRALIAN
  - (B) ..... BRITISH
  - (E) ..... EUROPEAN
  - (I) ..... ITALIAN
  - (L) ..... SINGAPORE

Part No.	Part Name	QTY	Remarks
41	RES	1	RES
42	RES	1	RES
43	RES	1	RES
44	RES	1	RES
45	RES	1	RES
46	RES	1	RES
47	RES	1	RES
48	RES	1	RES
49	RES	1	RES
50	RES	1	RES



SCHEMATIC DIAGRAM (FUNCTION 2/2)



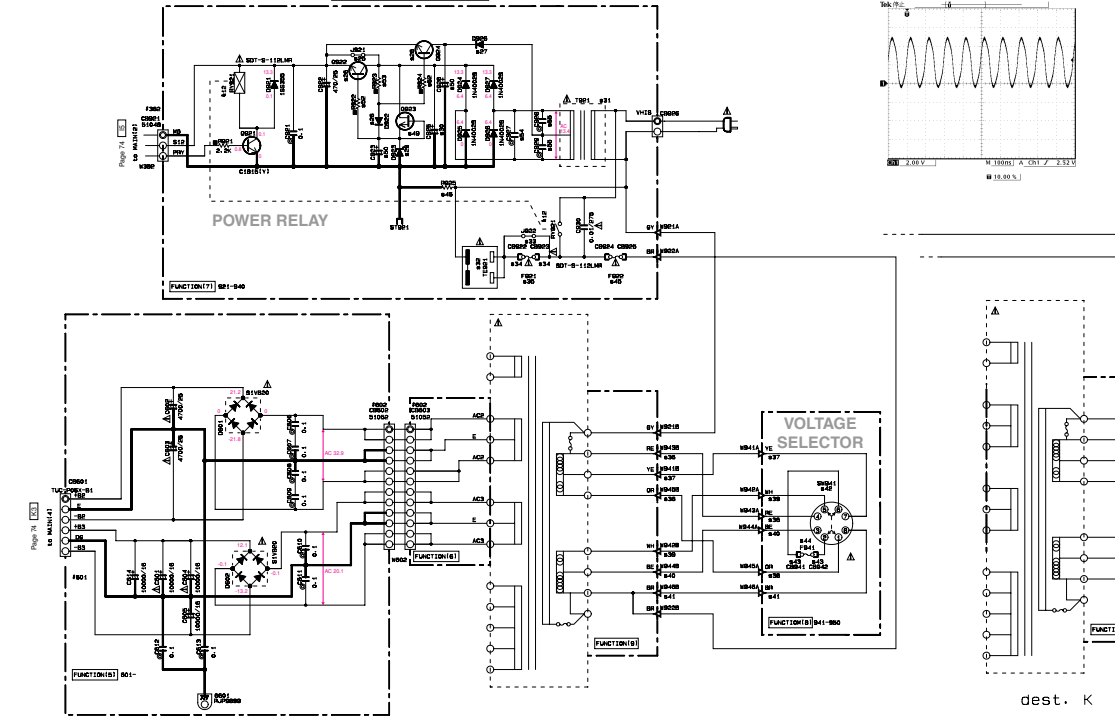
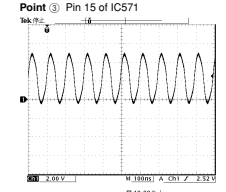
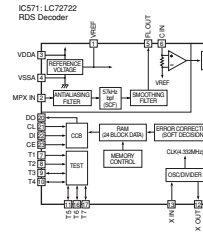
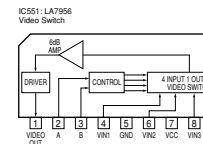
REMARKS	PARTS NAME	QTY
NO MARK	ELECTROLYTIC CAPACITOR	1
①	TANTALUM CAPACITOR	1
NO MARK	CERAMIC CAPACITOR	1
②	CERAMIC TUBULAR CAPACITOR	1
③	POLYESTER FILM CAPACITOR	1
④	POLYETHYLENE FILM CAPACITOR	1
⑤	MICA CAPACITOR	1
⑥	POLYPROPYLENE FILM CAPACITOR	1
⑦	SEMICONDUCTIVE CERAMIC CAPACITOR	1

REMARKS	PARTS NAME	QTY
NO MARK	CARBON FILM RESISTOR (P=5)	1
①	CARBON FILM RESISTOR (P=10)	1
②	METAL OXIDE FILM RESISTOR	1
③	METAL FILM RESISTOR	1
④	METAL PLATE RESISTOR	1
⑤	FINE PROOF CARBON FILM RESISTOR	1
⑥	CEMENT MOLDED RESISTOR	1
⑦	SEMI-VARIABLE RESISTOR	1
⑧	CHIP RESISTOR	1

NOTICE (model)  
 (J)..... JAPANESE  
 (U)..... U.S.A.  
 (C)..... CANADIAN  
 (E)..... EUROPEAN  
 (A)..... AUSTRALIAN  
 (B)..... BRITISH  
 (G)..... EUROPEAN  
 (T)..... CHINA  
 (L)..... SINGAPORE

Interchangeable Parts at Manufacture Stage

Mark	Reference Number	Parts Name
S12	R1001	80T-S-1134R
S13	C001	80C1740(1740)
S14	C002	80C331(1674/2)



	J	U.C	R.T	A	B	G	L	K
S10	80071	X	X	VP0004B	X	X	X	X
S11	80071	X	X	X	X	X	X	X
S12	AL871	X	X	X	X	X	X	X
S13	8077-878	X	X	X	X	X	X	X
S14	8078-878	X	X	X	X	X	X	X
S15	C001	X	X	X	X	X	X	X
S16	C002	X	X	X	X	X	X	X
S17	8078-563-563	X	X	X	X	X	X	X
S18	8078	X	X	X	X	X	X	X
S19	8078-800	X	X	X	X	X	X	X
S20	8077-878	X	X	X	X	X	X	X
S21	8078	X	X	X	X	X	X	X
S22	L871	X	X	X	X	X	X	X
S23	8078	X	X	X	X	X	X	X
S24	8074	X	X	X	X	X	X	X
S25	V001	0	0	0	0	0	0	0
S26	8000-804	X	X	80398(L=K1)	X	X	X	X
S27	8008	X	X	X	X	X	X	X
S28	8003	X	X	X	X	X	X	X
S29	8003	X	X	X	X	X	X	X
S30	8005	X	X	X	X	X	X	X
S31	1801	X	X	X	X	X	X	X
S32	1802	X	X	X	X	X	X	X
S33	1800	0	0	0	0	0	0	0
S34	8000-803	X	X	X	X	X	X	X
S35	F001	X	X	X	X	X	X	X
S36	F002	X	X	X	X	X	X	X
S37	H001	X	X	X	X	X	X	X
S38	V002	X	X	X	X	X	X	X
S39	F003	X	X	X	X	X	X	X
S40	H002	X	X	X	X	X	X	X
S41	V003	X	X	X	X	X	X	X
S42	H003	X	X	X	X	X	X	X
S43	80041-840	X	X	X	X	X	X	X
S44	F004	X	X	X	X	X	X	X
S45	F005	X	X	X	X	X	X	X
S46	F006	X	X	X	X	X	X	X
S47	8005	X	X	X	X	X	X	X
S48	8005	X	X	X	X	X	X	X
S49	8005-800	X	X	X	X	X	X	X
S50	8000-804	X	X	X	X	X	X	X
S51	8002	X	X	X	X	X	X	X
S52	8007	X	X	X	X	X	X	X
S53	8008-800	X	X	X	X	X	X	X
S54	8007	X	X	X	X	X	X	X
S55	8008-800	X	X	X	X	X	X	X
S56	8008	X	X	X	X	X	X	X
S57	F007	X	X	X	X	X	X	X
S58	F008	X	X	X	X	X	X	X
S59	H004	X	X	X	X	X	X	X

\* NOT USED  
 0 USED / APPLICABLE

\* All voltages are measured with a 10MΩ/V DC electric volt meter.  
 \* Components having special characteristics are marked 1, and must be replaced with parts having specifications equal to those originally installed.  
 \* Schematic diagram is subject to change without notice.  
 ● 電圧は、内部抵抗10MΩの電圧計で測定したものです。  
 ● 1印のある部品は、安全性確保部品を示しています。部品の交換が必要な場合、パーツリストに記載されている部品を参照してください。  
 ● 本回路図は標準回路図です。改良のため予告なく変更することがございます。

■ SCHEMATIC DIAGRAM (OPERATION)

REMARKS	PARTS NAME	
NO MARK	ELECTROLYTIC CAPACITOR	11
⊗	TANTALUM CAPACITOR	
NO MARK	CERAMIC CAPACITOR	
⊙	CERAMIC TUBULAR CAPACITOR	
⊖	POLYESTER FILM CAPACITOR	
⊕	POLYSTYRENE FILM CAPACITOR	11
Ⓜ	MICA CAPACITOR	
Ⓟ	POLYPROPYLENE FILM CAPACITOR	
Ⓢ	SEMICONDUCTIVE CERAMIC CAPACITOR	
Ⓣ	POLYPHENYLENE SULFIDE FILM CAPACITOR	

REMARKS	PARTS NAME	
NO MARK	CARBON FILM RESISTOR (P=5)	
□	CARBON FILM RESISTOR (P=10)	
△	METAL OXIDE FILM RESISTOR	
▲	METAL FILM RESISTOR	
⊠	METAL PLATE RESISTOR	
⊞	FIRE PROOF CARBON FILM RESISTOR	
Ⓜ	CEMENT MOLDED RESISTOR	
Ⓟ	SEMI VARIABLE RESISTOR	
Ⓢ	CHIP RESISTOR	

NOTICE (model)

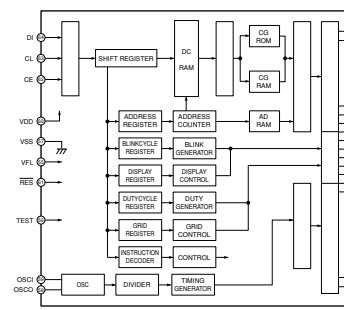
- (J)..... JAPANESE
- (U)..... U. S. A.
- (C)..... CANADIAN
- (R)..... GENERAL
- (A)..... AUSTRALIAN
- (B)..... BRITISH
- (G)..... EUROPEAN
- (T)..... CHINA
- (L)..... SINGAPORE

	J-U-C-R-T K-A-L	B-G	
#5	SW711-714	X	VV02030
#6	R711	X	10K RD36710
#7	R712	X	20K RD36722
#8	R713	X	47K RD36747
#9	R714	X	200K RD36822

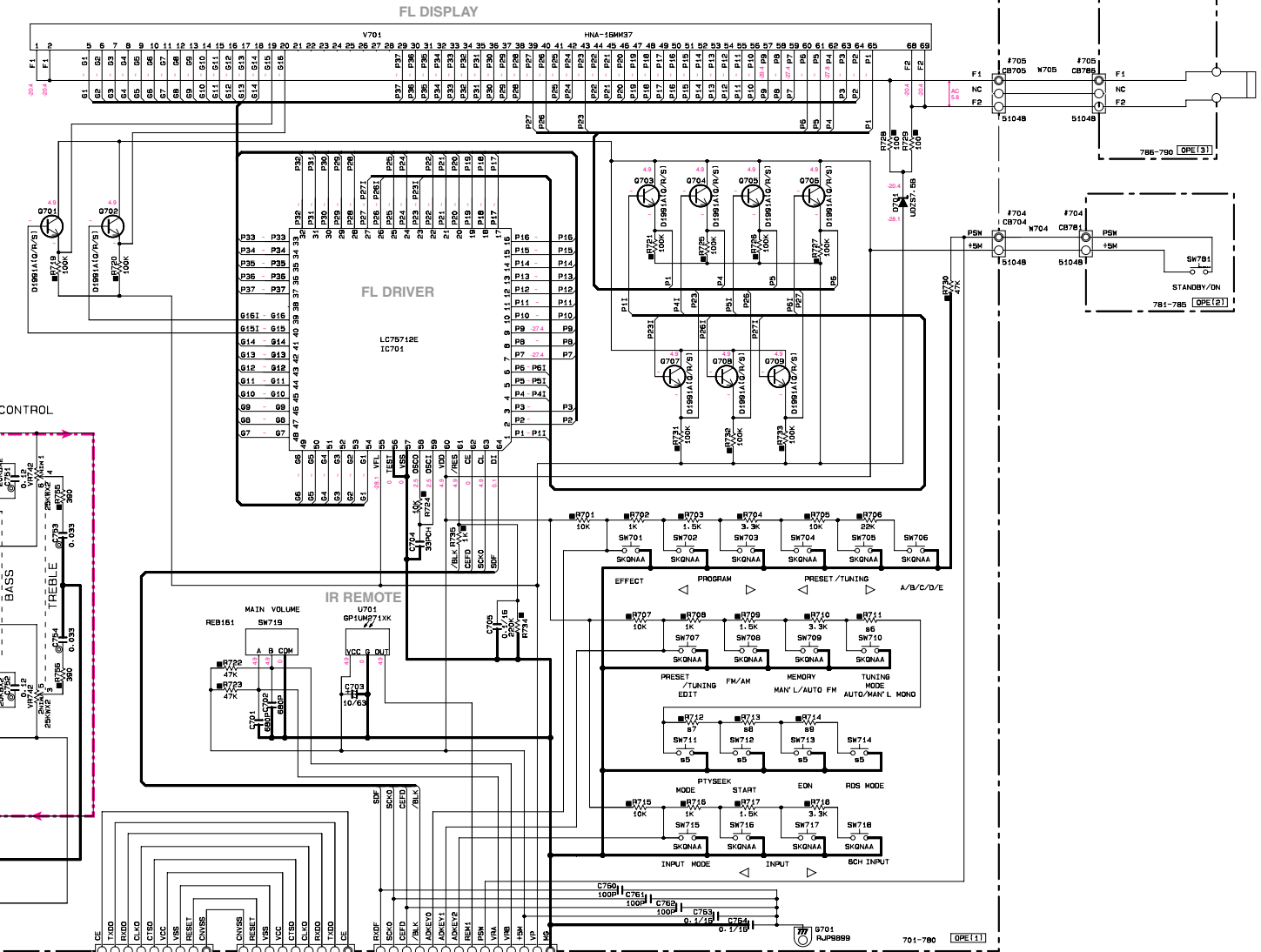
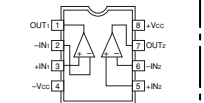
- \* All voltages are measured with a 10MΩ/V DC electric volt meter.
- \* Components having special characteristics are marked 1, and must be replaced with parts having specifications equal to those originally installed.
- \* Schematic diagram is subject to change without notice.

- 電圧は、内部抵抗10MΩの電圧計で測定したものです。
- 1印のある部品は、安全性確保部品を示しています。部品の交換が必要な場合、パーツリストに記載されている部品を使用してください。
- 本回路図は標準回路図です。改良のため予告なく変更することがございます。

IC701: LC75712E FLD  
FL Display Driver



IC741: 74C4570G2  
Dual Op-Amp



Page 57 [LT] to FUNCTION (1)

Flash U-con Write Connector

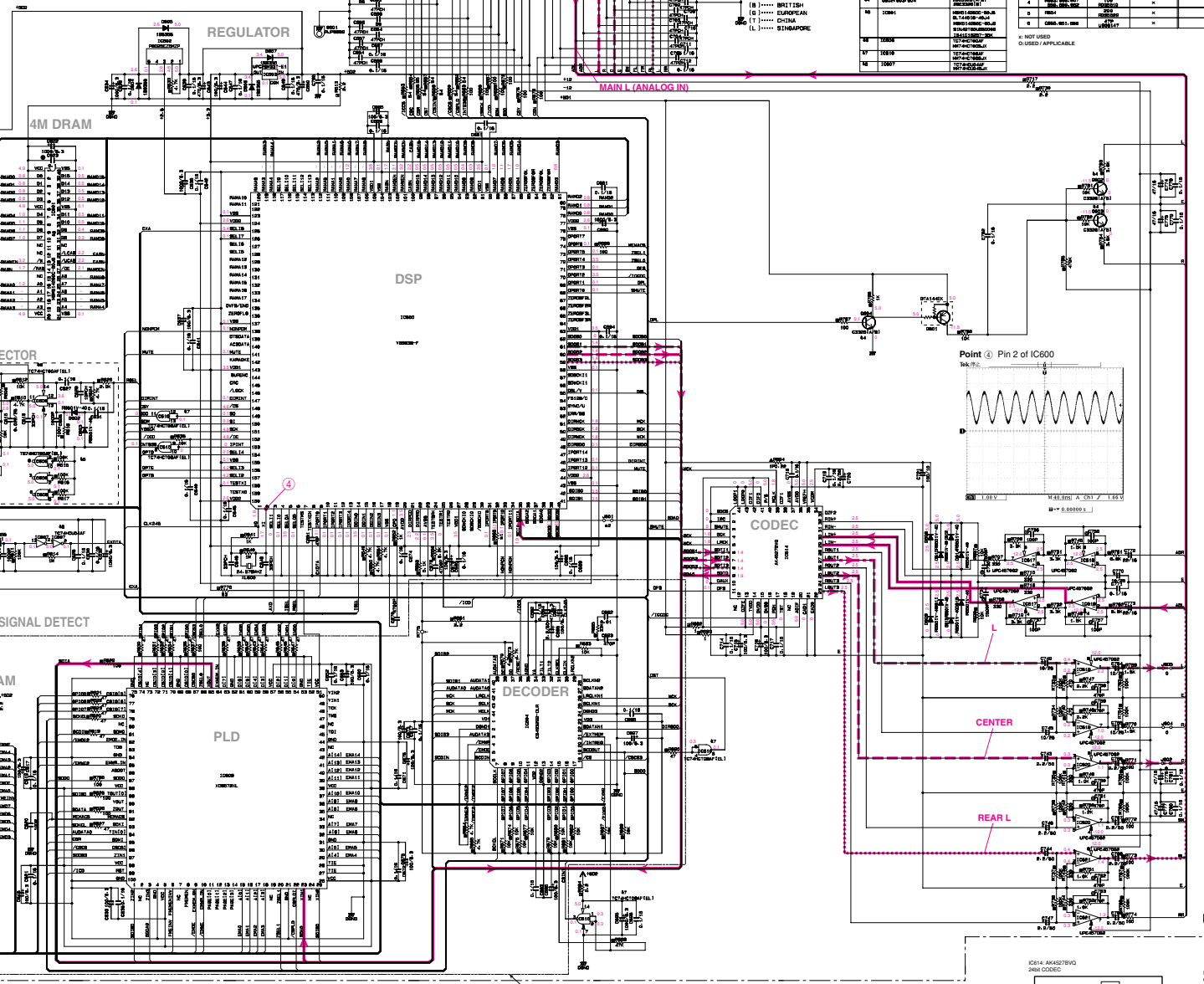
Page 57 [S]

■ SCHEMATIC DIAGRAM (DSP)

REMARKS	PARTS NAME
NO MARK	CARBON FILM RESISTOR (P-6)
□	CARBON FILM RESISTOR (P-10)
△	METAL OXIDE FILM RESISTOR
○	METAL FILM RESISTOR
◇	METAL PLATE RESISTOR
▽	FILM PROOF CARBON FILM RESISTOR
◎	CONDUCTIVE GEL RESISTOR
①	SMI VARIABLE RESISTOR
②	COXP RESISTOR

REMARKS	PARTS NAME
NO MARK	ELECTROLYTIC CAPACITOR
□	ALUMINUM ELECTROLYTIC CAPACITOR
○	TANTALUM CAPACITOR
◇	CERAMIC CAPACITOR
▽	CERAMIC TUBULAR CAPACITOR
◎	POLYMER FILM CAPACITOR
①	POLYESTER FILM CAPACITOR
②	POLYPROPYLENE FILM CAPACITOR
③	PERFORMANCE CERAMIC CAPACITOR
④	POLYETHYLENE SULFIDE FILM CAPACITOR

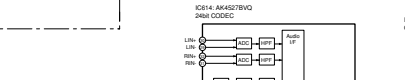
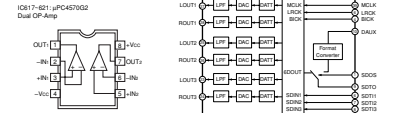
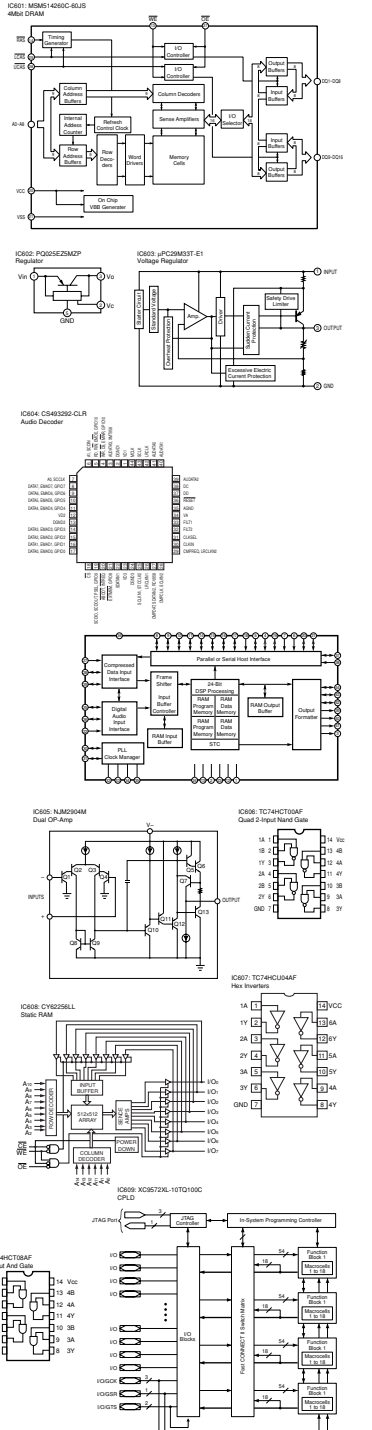


NOTICE (model)

Country	Model	Part No.	Manufacturer
J	JAPANESE	1	DAIICHI ELECTRIC INDUSTRY CO., LTD.
U	U.S.A.	2	DAIICHI ELECTRIC INDUSTRY CO., LTD.
C	CANADIAN	3	DAIICHI ELECTRIC INDUSTRY CO., LTD.
R	GENERAL	4	DAIICHI ELECTRIC INDUSTRY CO., LTD.
I	ITALIAN	5	DAIICHI ELECTRIC INDUSTRY CO., LTD.
B	BRI TISH	6	DAIICHI ELECTRIC INDUSTRY CO., LTD.
E	EUROPEAN	7	DAIICHI ELECTRIC INDUSTRY CO., LTD.
T	CHINA	8	DAIICHI ELECTRIC INDUSTRY CO., LTD.
L	SINGAPORE	9	DAIICHI ELECTRIC INDUSTRY CO., LTD.

Interchangeable Parts at Manufacturing Stage

Part No.	Part Name	Manufacturer
1	REGULATOR	DAIICHI ELECTRIC INDUSTRY CO., LTD.
2	4M DRAM	DAIICHI ELECTRIC INDUSTRY CO., LTD.
3	DUTY CORRECTOR	DAIICHI ELECTRIC INDUSTRY CO., LTD.
4	LEVEL CONVERT & SIGNAL DETECT	DAIICHI ELECTRIC INDUSTRY CO., LTD.
5	256K SRAM	DAIICHI ELECTRIC INDUSTRY CO., LTD.
6	PLD	DAIICHI ELECTRIC INDUSTRY CO., LTD.
7	DECODER	DAIICHI ELECTRIC INDUSTRY CO., LTD.
8	CODEC	DAIICHI ELECTRIC INDUSTRY CO., LTD.
9	IC600	DAIICHI ELECTRIC INDUSTRY CO., LTD.



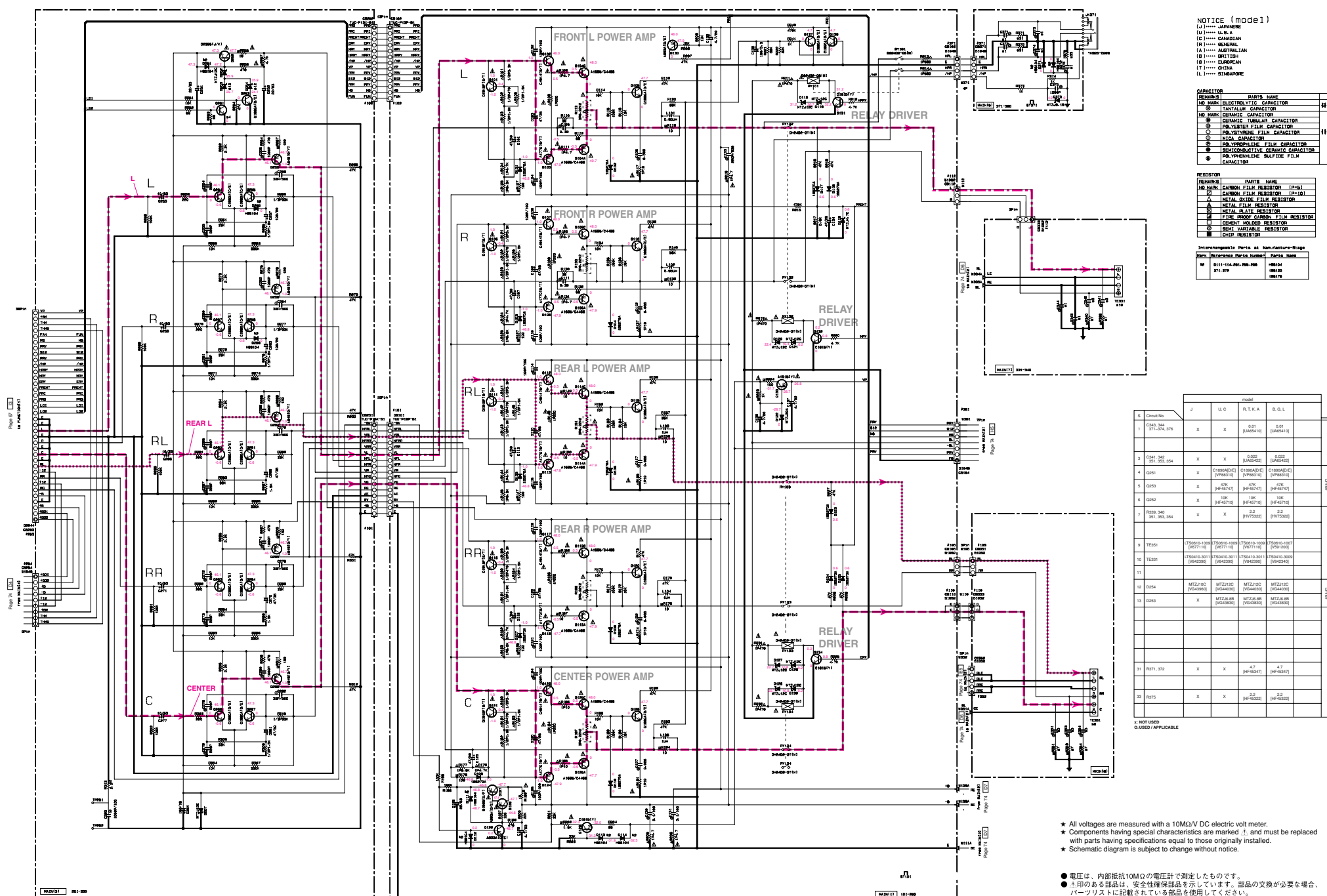
□ : RX-V530/RX-V530RDS/HTR-5550/HTR-5550RDS/DSP-AX530 only

J model only (DSP-AX530/DSP-AX430)

- ★ All voltages are measured with a 10MΩ/V DC electric volt meter.
- ★ Components having special characteristics are marked \* and must be replaced with parts having specifications equal to those originally installed.
- ★ Schematic diagram is subject to change without notice.

- 電圧は、内部抵抗10MΩの電圧計で測定したものです。
- \*印のある部品は、安全性確保部品を示しています。部品の交換が必要な場合、パーツリストに記載されている部品を使用してください。
- 本回路図は標準回路図です。改良のため予告なく変更することがございます。

■ SCHEMATIC DIAGRAM (MAIN 1/2) RX-V530/RX-V530RDS/HTR-5550/HTR-5550RDS/DSP-AX530/RX-V430RDS/HTR-5540RDS only



NOTICE (model)  
 (J)..... JAPANESE  
 (U)..... U.S.A.  
 (C)..... CANADIAN  
 (R)..... GENERAL  
 (A)..... AUSTRALIAN  
 (E)..... BRITISH  
 (G)..... GERMAN  
 (T)..... CHINA  
 (L)..... SINGAPORE

CAPACITOR

REMARKS	PARTS NAME	UNIT
NO MARK	ELECTROLYTIC CAPACITOR	μF
◎	TANTALUM CAPACITOR	μF
○	CEMICAP CERAMIC CAPACITOR	μF
○	NON-VARIABLE FILM CAPACITOR	μF
○	POLYESTER FILM CAPACITOR	μF
○	MICA CAPACITOR	μF
○	FOR VIBROLINE FILM CAPACITOR	μF
○	BI-DIRECTIONAL CERAMIC CAPACITOR	μF
○	POLYPROPYLENE SULFIDE FILM CAPACITOR	μF

RESISTOR

REMARKS	PARTS NAME	UNIT
NO MARK	CARBON FILM RESISTOR (P-10)	Ω
□	CARBON FILM RESISTOR (P-10)	Ω
△	METAL FILM RESISTOR	Ω
◇	METAL PLATE RESISTOR	Ω
○	FILM THICK CARBON FILM RESISTOR	Ω
○	CEMENT MOUNTED RESISTOR	Ω
■	CHIP RESISTOR	Ω

Interchangeable Parts at Manufacture Stage

Part No.	Reference Part No.	Part No.	Part No.
M	D111-114-001-000-000	4804A	4804A
	071-070	18010	18010

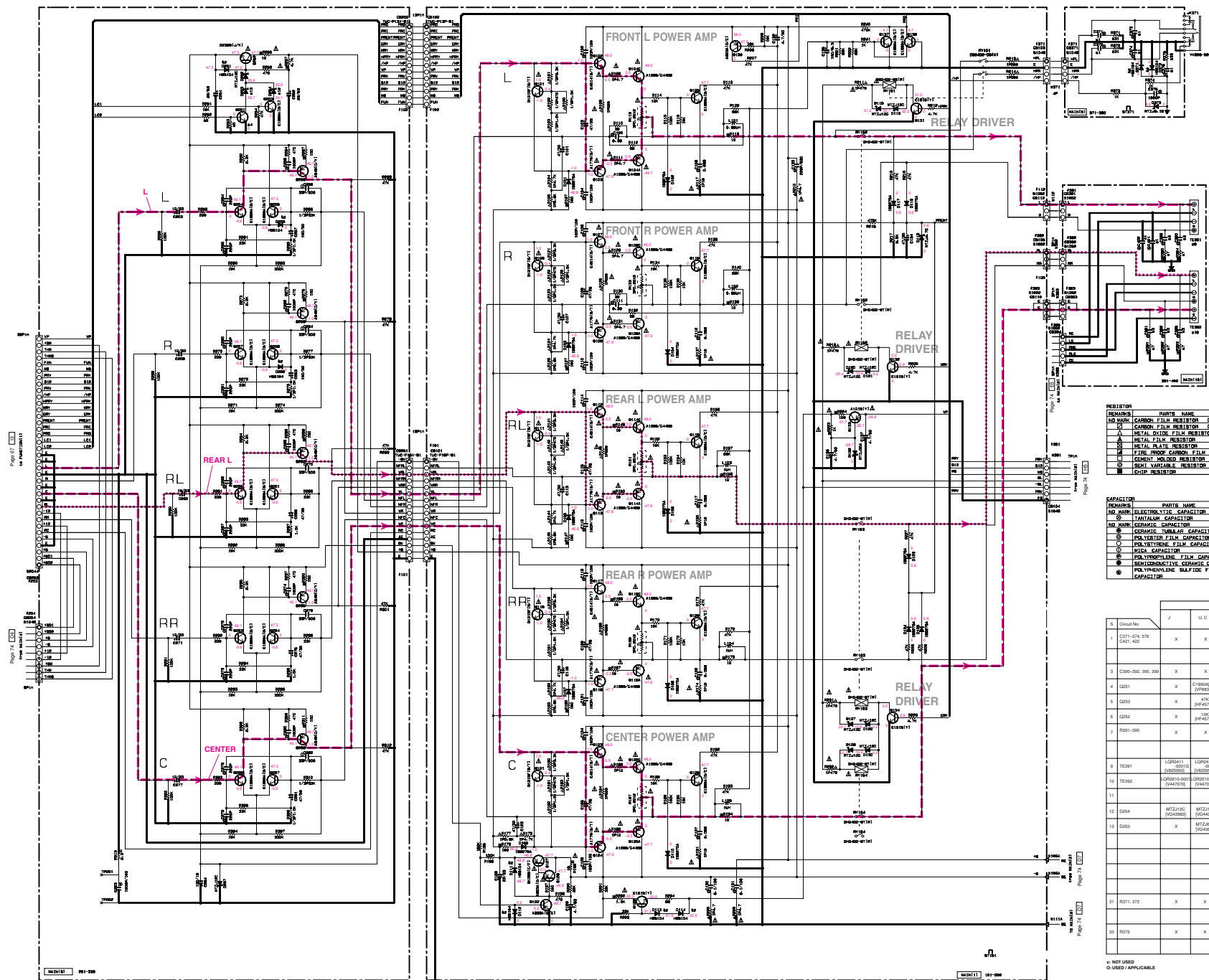
8	Circuit No.	J	U.C	model	R.T.K.A	E.G.L	
	C245-344 271-374-376	X	X	0.01 [UAG5410]	0.01 [UAG5410]		
	C241-342 351-353-354	X	X	0.002 [UAG5402]	0.002 [UAG5402]		
	C201	X		0.000001 [VFB6310]	0.000001 [VFB6310]		
	D203	X	X	47K [HF45710]	47K [HF45710]		
	D205	X	X	10K [HF45710]	10K [HF45710]		
	R233-340 351-353-354	X	X	2.2 [HV73202]	2.2 [HV73202]		
	TE301			1700410-1000 [W67110]	1700410-1000 [W67110]	1700410-1000 [W67110]	
	TE301			1704410-3011 [VAG2001]	1704410-3011 [VAG2001]	1704410-3009 [VAG2001]	
	D204			MF21100 [VG44030]	MF21100 [VG44030]	MF21100 [VG44030]	
	D205	X	X	MF210.8B [VG43030]	MF210.8B [VG43030]	MF210.8B [VG43030]	
	R201-372	X	X	4.7 [HF45447]	4.7 [HF45447]		
	R210	X	X	2.2 [HF45202]	2.2 [HF45202]		

○ NOT USED  
 □ CIRCLED / APPLICABLE

- ★ All voltages are measured with a 10MΩ/V DC electric volt meter.
  - ★ Components having special characteristics are marked ! and must be replaced with parts having specifications equal to those originally installed.
  - ★ Schematic diagram is subject to change without notice.
- 電圧は、内部抵抗10MΩの電圧計で測定したものです。  
 ● !印のある部品は、安全性確保部品を示しています。部品の交換が必要な場合、パーツリストに記載されている部品を使用してください。  
 ● 本回路図は標準回路図です。改良のため予告なく変更することがございます。

■ SCHEMATIC DIAGRAM (MAIN 1/2) RX-V530/HTR-5540/DSP-AX430 only

RX-V530/RX-V530RDS/HTR-5550/HTR-5550RDS/DSP-AX530  
RX-V430/RX-V430RDS/HTR-5540/HTR-5540RDS/DSP-AX430



RESISTOR

RESISTOR	PARTS NAME	MANUFACTURE NUMBER	RESISTOR VALUE
NO MARK	CARBON FILM RESISTOR (F-D)		
□	CARBON FILM RESISTOR (F-D)		
△	METAL OXIDE FILM RESISTOR		
○	METAL FILM RESISTOR		
□	METAL PLATE RESISTOR		
△	FINE PITCH CARBON FILM RESISTOR		
○	CONDUCTIVE COATED RESISTOR		
□	SEMI VARIABLE RESISTOR		
○	CHIP RESISTOR		

CAPACITOR

RESISTOR	PARTS NAME	MANUFACTURE NUMBER	RESISTOR VALUE
NO MARK	ELECTROLYTIC CAPACITOR		
○	TANTALUM CAPACITOR		
□	CERAMIC CAPACITOR		
○	GENERAL PURPOSE CAPACITOR		
○	POLYESTER FILM CAPACITOR		
○	POLYPROPYLENE FILM CAPACITOR		
○	SOIL CAPACITOR		
○	POLYPROPYLENE FILM CAPACITOR		
○	NONINDUCTIVE CERAMIC CAPACITOR		
○	POLYPROPYLENE SULFIDE FILM CAPACITOR		

NOTICE (model)

J ..... JAPANESE  
 U ..... U.S.A.  
 C ..... CANADIAN  
 R ..... GENERAL  
 A ..... AUSTRALIAN  
 B ..... BRITISH  
 E ..... EUROPEAN  
 T ..... CHINA  
 L ..... SINGAPORE

Chart No.	J	U.C.	R.T.K.A.	L
1 C271-274, 376 C281-322	X	X	0.01 [JMS410]	0.01 [JMS410]
2 C390-392, 395, 399	X	X	0.02 [JMS420]	0.02 [JMS420]
4 G251	X		C180A(4E) [YF8510]	C180A(4E) [YF8510]
5 G255	X		47K [YF45747]	47K [YF45747]
6 G252	X		10K [YF45710]	10K [YF45710]
7 R311-315	X	X	2.2 [YF75202]	2.2 [YF75202]
9 TE301	LCR2411 [Y447011]	LCR2411 [Y447011]	LCR2411 [Y447011]	LCR2411 [Y447011]
10 TE302	LCR2511-0000 [Y447011]	LCR2511-0000 [Y447011]	LCR2511-0000 [Y447011]	LCR2511-0000 [Y447011]
11				
12 D254	MTZ12C [Y434300]	MTZ12C [Y434300]	MTZ12C [Y434300]	MTZ12C [Y434300]
13 D253	X		MTZ16.6B [Y434300]	MTZ16.6B [Y434300]
31 R371, 372	X	X	4.7 [YF45471]	4.7 [YF45471]
33 R375	X	X	2.2 [YF45222]	2.2 [YF45222]

○ NOT USED  
□ USED / APPLICABLE

\* All voltages are measured with a 10MΩ/V DC electric volt meter.  
 \* Components having special characteristics are marked with a triangle and must be replaced with parts having specifications equal to those originally installed.  
 \* Schematic diagram is subject to change without notice.

● 電圧は、内部抵抗10MΩの電圧計で測定したものです。  
 ● 印のある部品は、安全性確保部品を示しています。部品の交換が必要な場合、パーツリストに記載されている部品を使用してください。  
 ● 本回路図は標準回路図です。改良のため予告なく変更することがございます。

■ SCHEMATIC DIAGRAM / (MAIN 2/2)

RESISTOR

REMARKS	PARTS NAME
NO MARK	CARBON FILM RESISTOR (P=5)
☒	CARBON FILM RESISTOR (P=10)
△	METAL OXIDE FILM RESISTOR
⊠	METAL FILM RESISTOR
⊡	METAL PLATE RESISTOR
⊞	FIRE PROOF CARBON FILM RESISTOR
□	CEMENT MOLDED RESISTOR
⊕	SEMI VARIABLE RESISTOR
■	CHIP RESISTOR

CAPACITOR

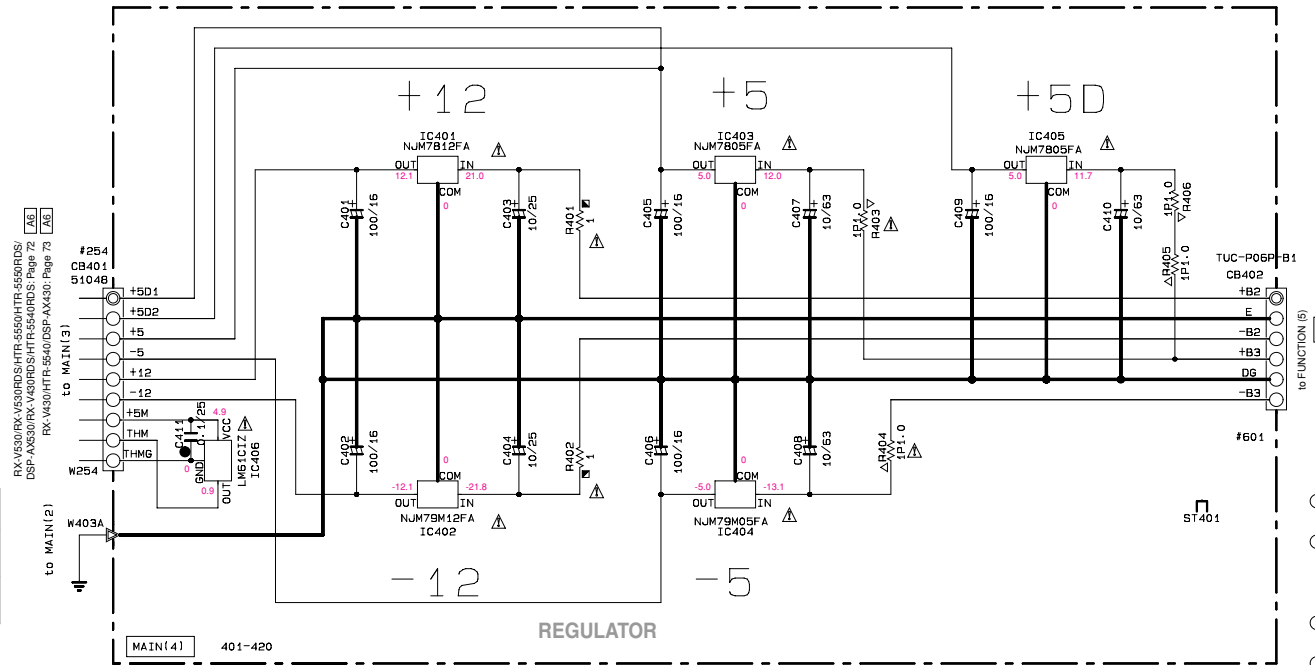
REMARKS	PARTS NAME
NO MARK	ELECTROLYTIC CAPACITOR
⊗	TANTALUM CAPACITOR
NO MARK	CERAMIC CAPACITOR
●	CERAMIC TUBULAR CAPACITOR
⊙	POLYESTER FILM CAPACITOR
○	POLYSTYRENE FILM CAPACITOR
⊖	MICA CAPACITOR
⊕	POLYPROPYLENE FILM CAPACITOR
⊗	SEMICONDUCTIVE CERAMIC CAPACITOR

NOTICE (model)

- (J)..... JAPANESE
- (U)..... U. S. A
- (C)..... CANADIAN
- (R)..... GENERAL
- (A)..... AUSTRALIAN
- (B)..... BRITISH
- (G)..... EUROPEAN
- (T)..... CHINA
- (L)..... SINGAPORE

6	Circuit No.	J	U. C. R. T. K
21	J3B1, 3B2	D	X
22	SW3B1	X	SL13B-022AMCS [V410420]

x: NOT USED  
 o: USED/APPLICABLE



RX-V530/RX-V530RDS/HTR-5550/HTR-5550RDS/  
 DSP-AX530/RX-V430RDS/HTR-5540RDS: Page 72  
 RX-V430/HTR-5540/DSP-AX430: Page 73

RX-V530/RX-V530RDS/HTR-5550/HTR-5550RDS/  
 DSP-AX530/RX-V430RDS/HTR-5540RDS: Page 72  
 RX-V430/HTR-5540/DSP-AX430: Page 73

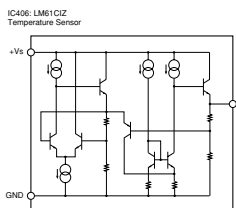
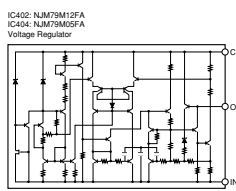
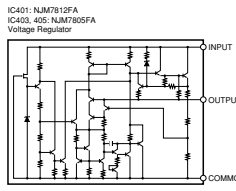
RX-V530/RX-V530RDS/HTR-5550/HTR-5550RDS/  
 DSP-AX530/RX-V430RDS/HTR-5540RDS only: Page 72

RX-V530/RX-V530RDS/HTR-5550/HTR-5550RDS/  
 DSP-AX530/RX-V430RDS/HTR-5540RDS: Page 72  
 RX-V430/HTR-5540/DSP-AX430: Page 73

RX-V530/RX-V530RDS/HTR-5550/HTR-5550RDS/  
 DSP-AX530/RX-V430RDS/HTR-5540RDS: Page 72  
 RX-V430/HTR-5540/DSP-AX430: Page 73

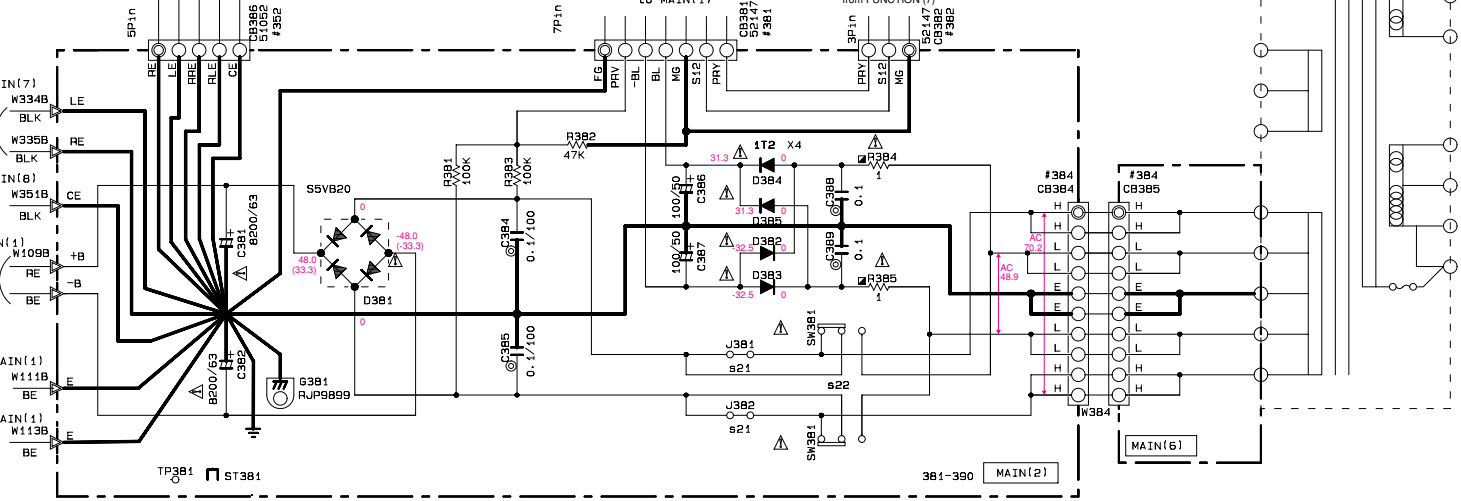
RX-V530/RX-V530RDS/HTR-5550/HTR-5550RDS/  
 DSP-AX530/RX-V430RDS/HTR-5540RDS: Page 72  
 RX-V430/HTR-5540/DSP-AX430: Page 73

RX-V530/RX-V530RDS/HTR-5550/HTR-5550RDS/  
 DSP-AX530/RX-V430RDS/HTR-5540RDS: Page 72  
 RX-V430/HTR-5540/DSP-AX430: Page 73



RX-V530/RX-V530RDS/HTR-5550/HTR-5550RDS/  
 DSP-AX530/RX-V430RDS/HTR-5540RDS: Page 72 to MAIN (8)  
 RX-V430/HTR-5540/DSP-AX430: Page 73 to MAIN (10)

RX-V530/RX-V530RDS/HTR-5550/HTR-5550RDS/  
 DSP-AX530/RX-V430RDS/HTR-5540RDS: Page 72  
 RX-V430/HTR-5540/DSP-AX430: Page 73



RX-V530/RX-V530RDS/HTR-5550/HTR-5550RDS/  
 DSP-AX530/RX-V430RDS/HTR-5540RDS only: Page 72

RX-V530/RX-V530RDS/HTR-5550/HTR-5550RDS/  
 DSP-AX530/RX-V430RDS/HTR-5540RDS: Page 72  
 RX-V430/HTR-5540/DSP-AX430: Page 73

RX-V530/RX-V530RDS/HTR-5550/HTR-5550RDS/  
 DSP-AX530/RX-V430RDS/HTR-5540RDS: Page 72  
 RX-V430/HTR-5540/DSP-AX430: Page 73

RX-V530/RX-V530RDS/HTR-5550/HTR-5550RDS/  
 DSP-AX530/RX-V430RDS/HTR-5540RDS: Page 72  
 RX-V430/HTR-5540/DSP-AX430: Page 73

★ All voltages are measured with a 10MΩ/V DC electric volt meter.  
 ★ Components having special characteristics are marked △, and must be replaced with parts having specifications equal to those originally installed.  
 ★ Schematic diagram is subject to change without notice.

● 電圧は、内部抵抗10MΩの電圧計で測定したものです。  
 ● △印のある部品は、安全性確保部品を示しています。部品の交換が必要な場合、パーツリストに記載されている部品を使用してください。  
 ● 本回路図は標準回路図です。改良のため予告なく変更することがございます。